

# TruXedo<sup>®</sup> Lo Pro QT Box Details



## Custom Tonneau Covers & Toolbox Cuts

- Step 1: Fill out ACTUAL pickup box dimensions  
 Step 2: Indicate your truck information  
 Step 3: Choose your cover color

- Cover Color:
- Black-1
  - Buckskin-4
  - Navy Blue-2
  - Charcoal Grey-7
  - Light Grey-9

L - Length\*: \_\_\_\_\_

W - Width Near Cab or toolbox: \_\_\_\_\_

W2 - Width Near Tailgate: \_\_\_\_\_

Make: \_\_\_\_\_

Model: \_\_\_\_\_

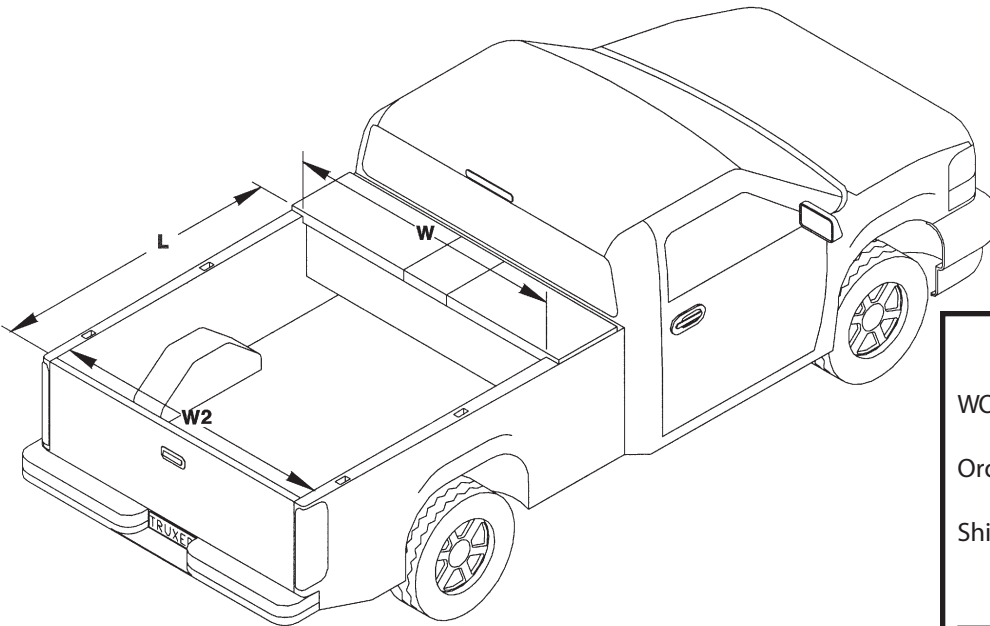
Year: \_\_\_\_\_

Bed Length without toolbox (8', 6' or 5'): \_\_\_\_\_

Does Your Truck Have:

- |                         |                              |                             |
|-------------------------|------------------------------|-----------------------------|
| Toolbox                 | <input type="checkbox"/> Yes | <input type="checkbox"/> No |
| Bed Caps                | <input type="checkbox"/> Yes | <input type="checkbox"/> No |
| Over the rail bed liner | <input type="checkbox"/> Yes | <input type="checkbox"/> No |
| Cargo track system      | <input type="checkbox"/> Yes | <input type="checkbox"/> No |

\*For pickups with toolboxes, length should be measured from face of toolbox to inside of tailgate.



**NOTE**  
 Measurements should be taken at the inside top of the bed, to the nearest 1/16".

For Internal Use Only \_\_\_\_\_

WO # \_\_\_\_\_

Order # \_\_\_\_\_

Ship Date \_\_\_\_\_

Customer Service Assistant

Customer Name: \_\_\_\_\_

Street Address: \_\_\_\_\_

City: \_\_\_\_\_ State: \_\_\_\_\_ Zip: \_\_\_\_\_

Phone Number: ( ) \_\_\_\_\_ Fax: ( ) \_\_\_\_\_